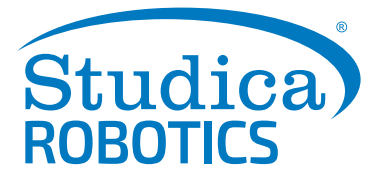
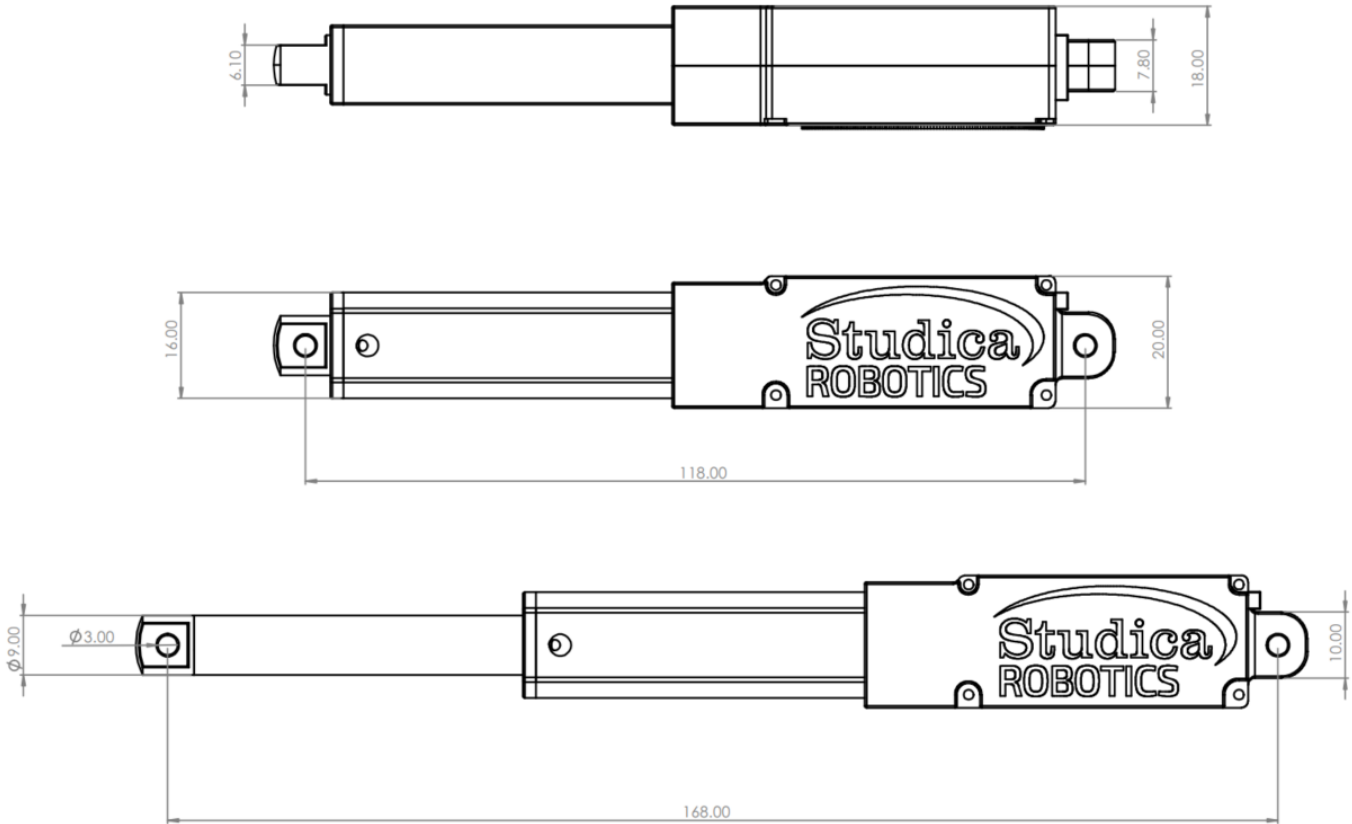


Linear Servo RC Actuators



Control Signal		PWM			
Frequency		50 Hz			
Voltage		6VDC			
Stroke Length		50mm		140mm	
Gear Ratio		63:1	150:1	63:1	150:1
No Load	Speed	13mm/s	6mm/s	13mm/s	6mm/s
	Current	150mA		150mA	
Max Efficiency Point	Load	30N	75N	30N	75N
	Speed	11mm/s	5mm/s	11mm/s	5mm/s
	Current	360mA		360mA	
Peak Power Point	Load	66N	170N	66N	170N
	Speed	8mm/s	3.3mm/s	8mm/s	3.3mm/s
	Current	560mA		560mA	
Max Force	Load	95N	190N	95N	190N
	Speed	5mm/s	2.5mm/s	5mm/s	2.5mm/s
	Current	850mA	820mA	850mA	820mA
Stall Torque		150N	325N	150N	325N
Stall Current		1A		1A	
Max Static Force		100N	190N	100N	190N
Weight		65g		96g	
Stroke Repeatability		±0.5mm			
Max Side Load		10N			
Operating Temperature Range		-10°C ~+50°C			
Storage Temperature Range		-10°C ~+50°C			
Wire Length		340mm			
Connector		2.54mm Dupont 3-Pin Female			

50mm Stroke Length



140mm Stroke Length

