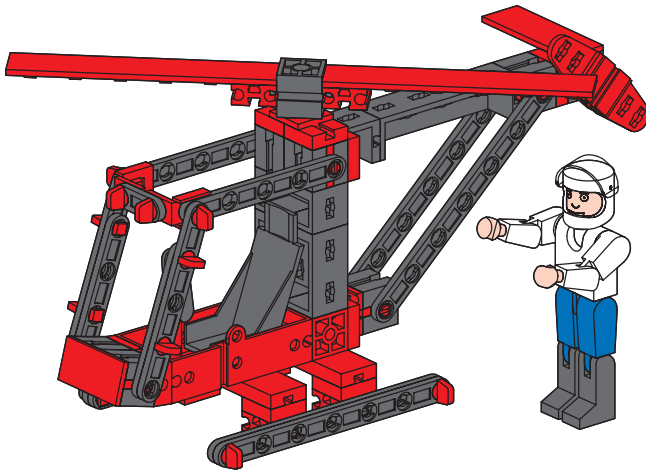
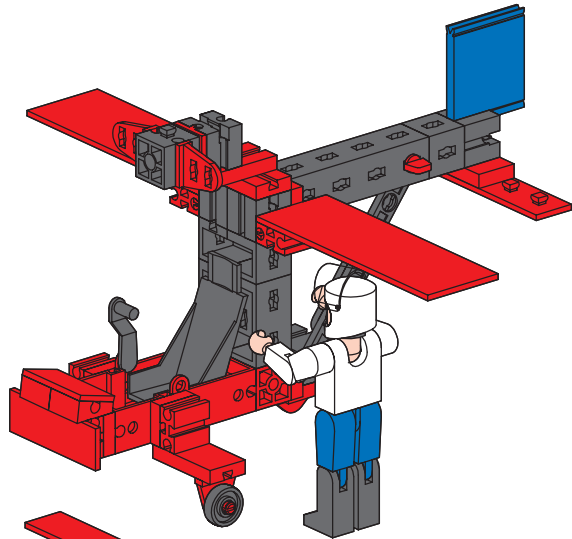
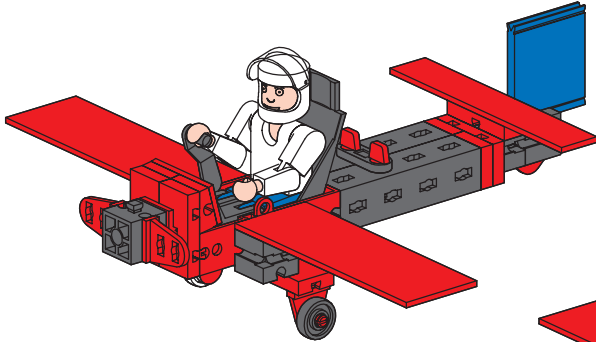


AIRCRAFT

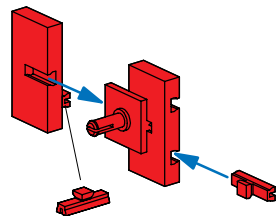
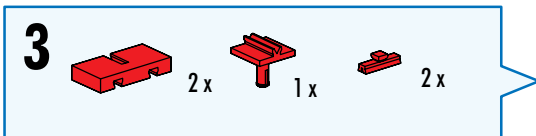
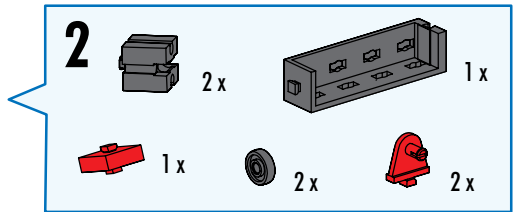
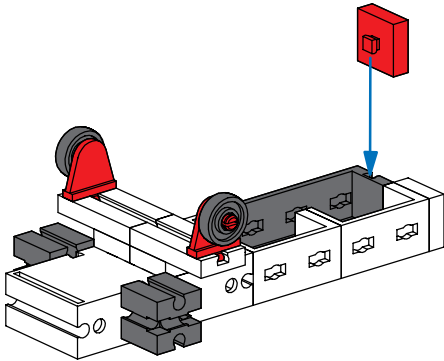
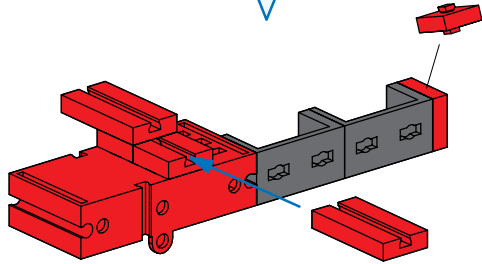
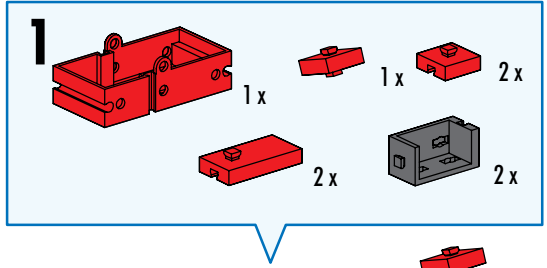
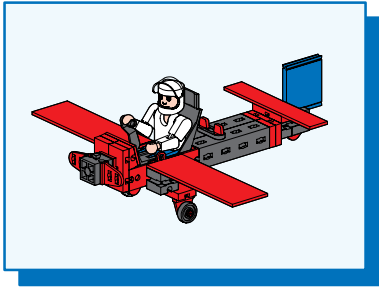
fischertechnik 

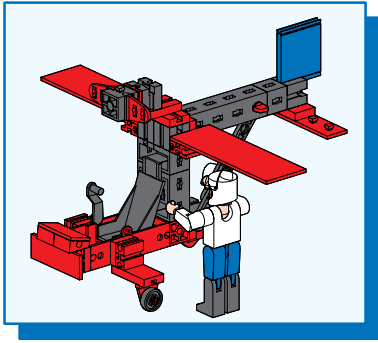
BASIC



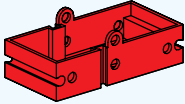
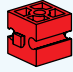

	31 124 2 x		32 881 6 x		36 922 3 x
	31 602 1 x		35 049 4 x		36 952 4 x
	31 670 2 x		35 668 2 x		37 237 3 x
	31 848 12 x		35 806 1 x		37 238 4 x
	31 905 1 x				37 468 8 x
	31 909 1 x		36 323 10 x		38 241 1 x
	31 978 1 x		36 324 2 x		38 242 1 x
	31 981 2 x		36 341 1 x		38 245 2 x
	31 982 5 x		36 573 2 x		38 251 2 x
	31 984 1 x		36 913 2 x		38 253 2 x
	31 994 1 x		36 914 1 x		38 428 4 x
	32 064 2 x		36 920 2 x		38 543 6 x
	32 321 2 x		36 921 1 x		

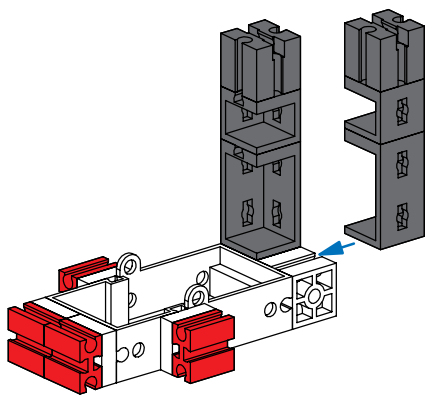
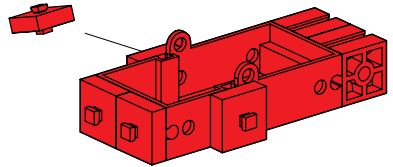
- Alle Einzelteile, insbesondere bewegliche Teile sind falls notwendig zu warten und zu reinigen.
- All components, especially moving parts, should be maintained and cleaned as necessary.
- Toutes les pièces détachées et en particulier les pièces mobiles, sont, si nécessaire, à entretenir et à nettoyer.
- Alle onderdelen, vooral de bewegende delen, kunnen, indien noodzakelijk, onderhouden en gereinigd worden.
- Es necesario limpiar y mantener en buen estado todas las diferentes piezas - especialmente las piezas móviles.
- Caso necessário, todas as peças individuais, especialmente peças móveis, tem que ser submetidas à manutenção e ser limpidas.
- Se necessario, tutti i singoli componenti, soprattutto le parti mobili, si devono eventualmente sottoporre a manutenzione e pulizia.
- Все детали конструктора, в особенности его подвижные части, необходимо содержать в исправности и очищать их по мере необходимости.
- 必要时应保养和清洁所有零件，尤指运动部件。



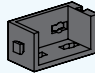
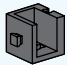




1

 1x
  2x
  4x









2

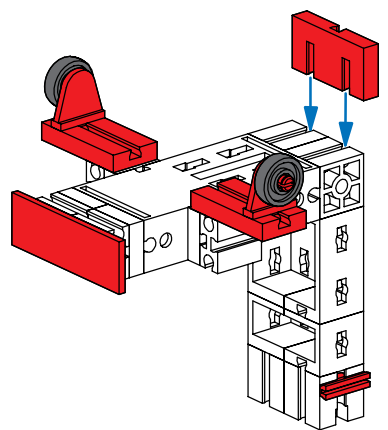
 2x
  2x

 4x
  2x

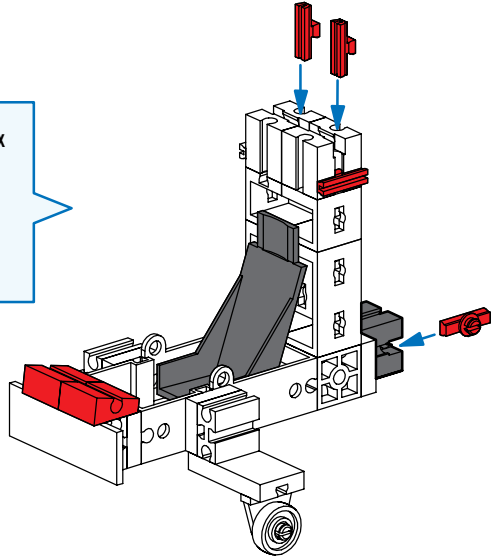
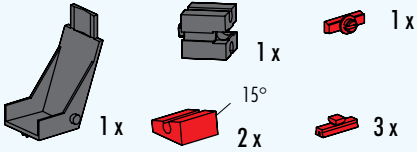
3

 1x
  1x
  1x

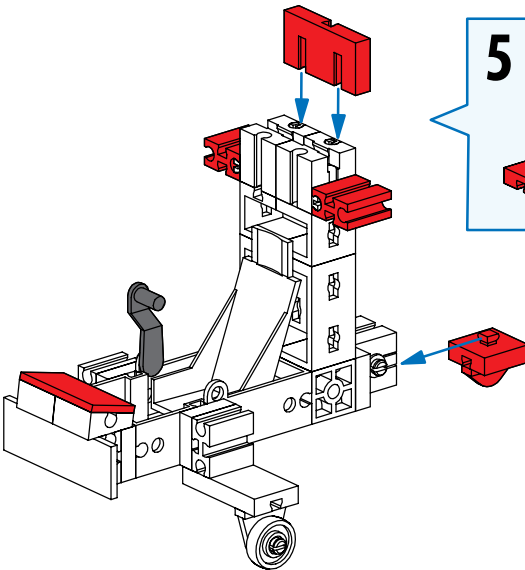
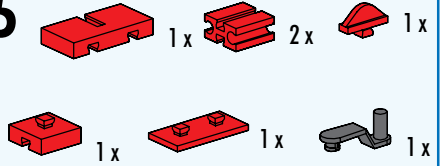
 2x
  2x
  2x

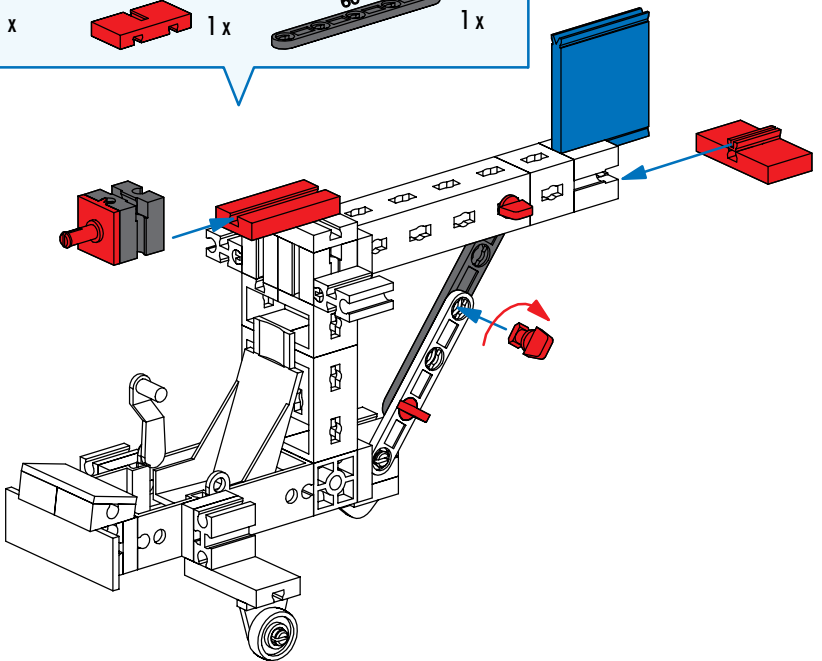
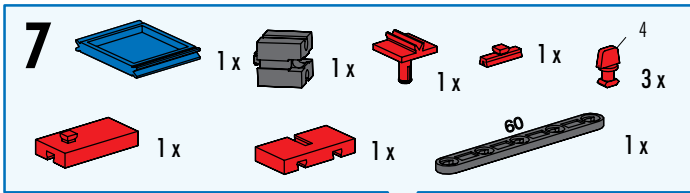
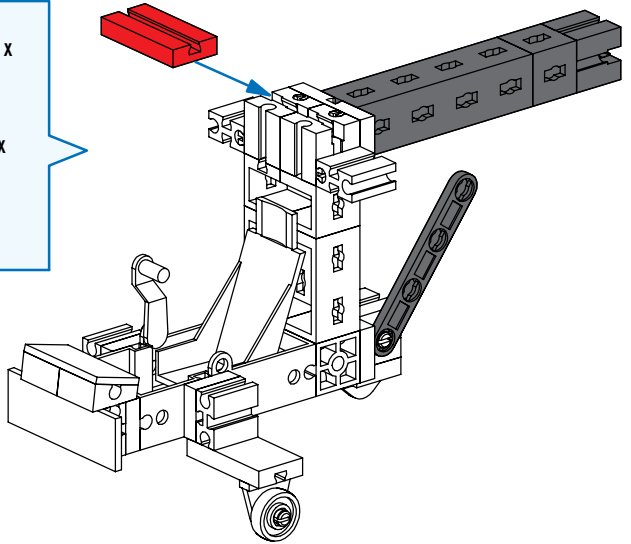
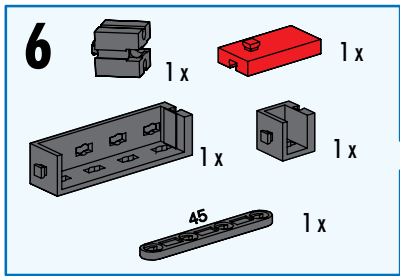


4

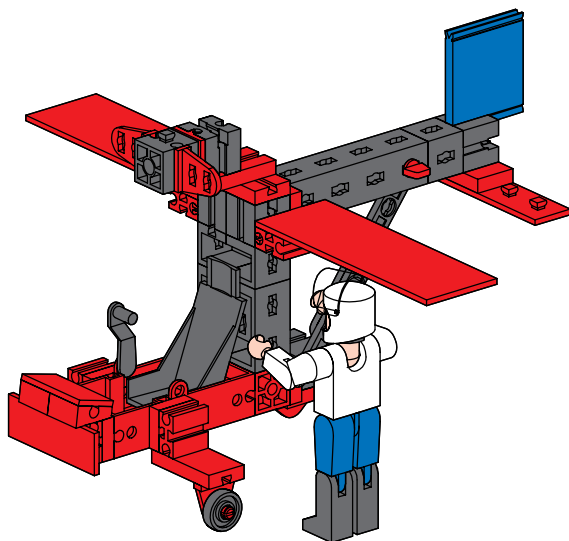
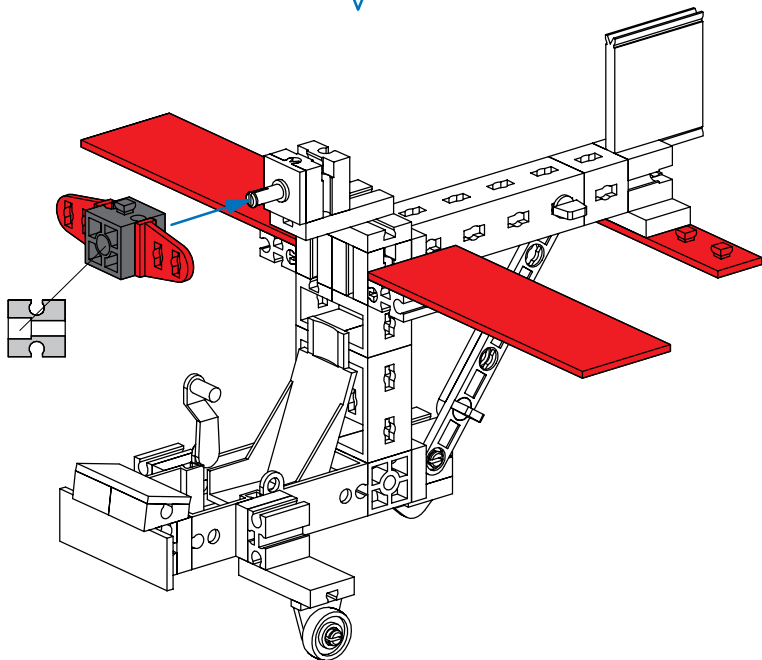
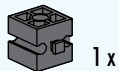
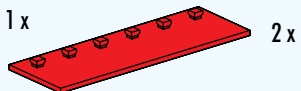
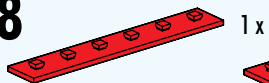


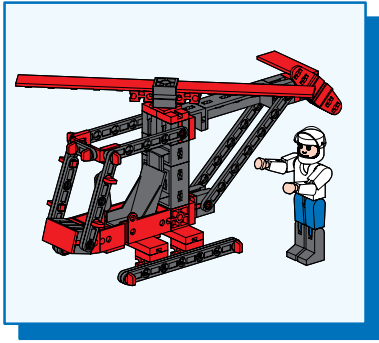
5





8





1

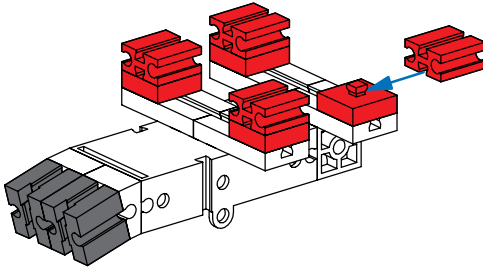
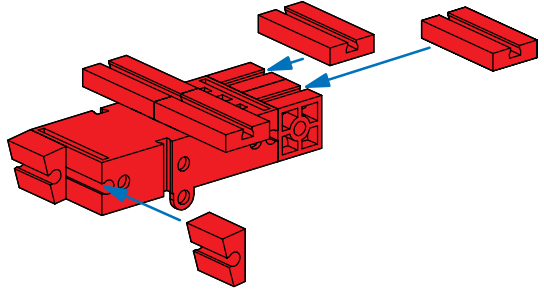
1x

4x

15°

2x

2x

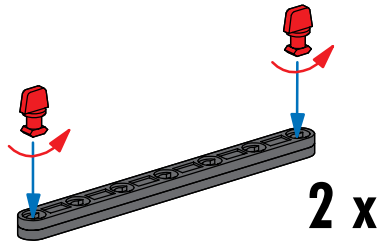


2

2x

4x

4x



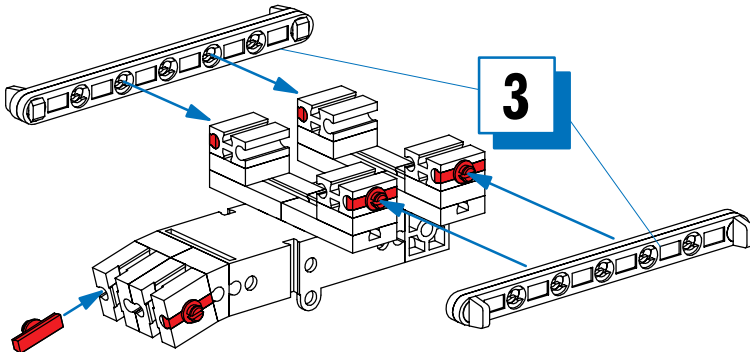
3

90

4x

4

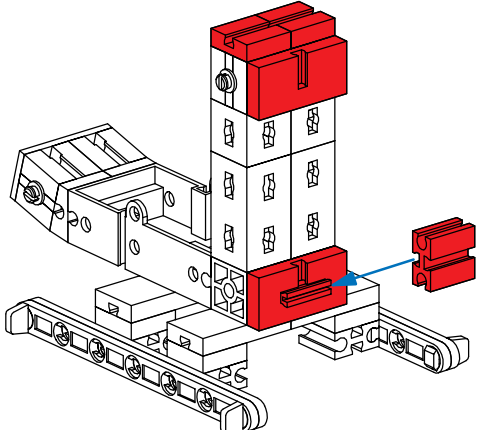
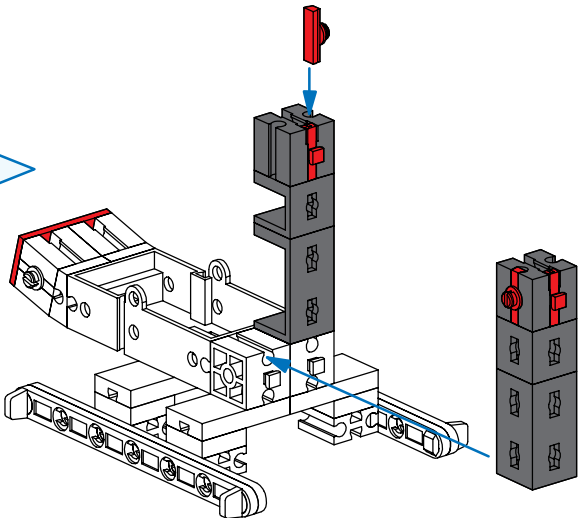
4x



4

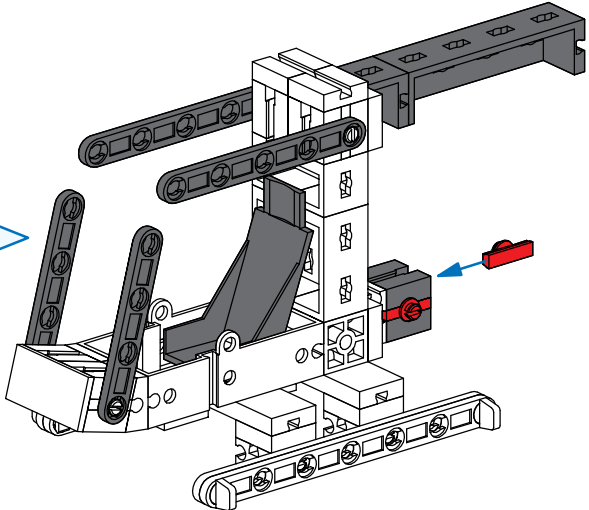
6x

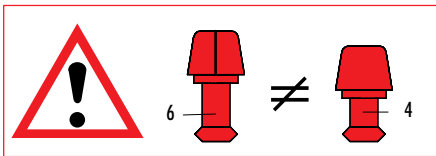
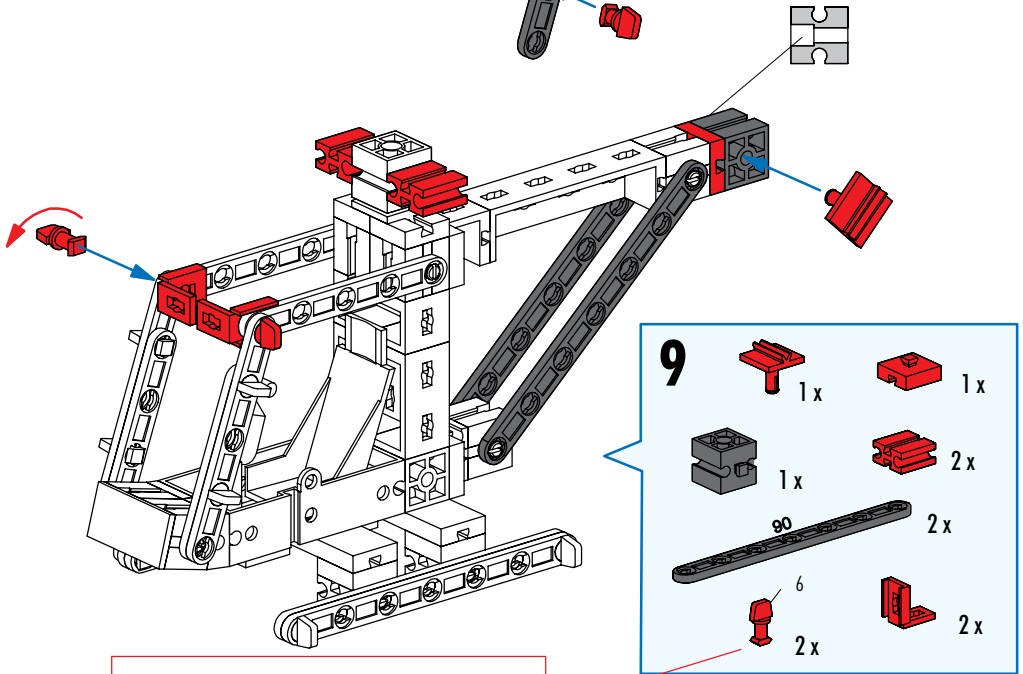
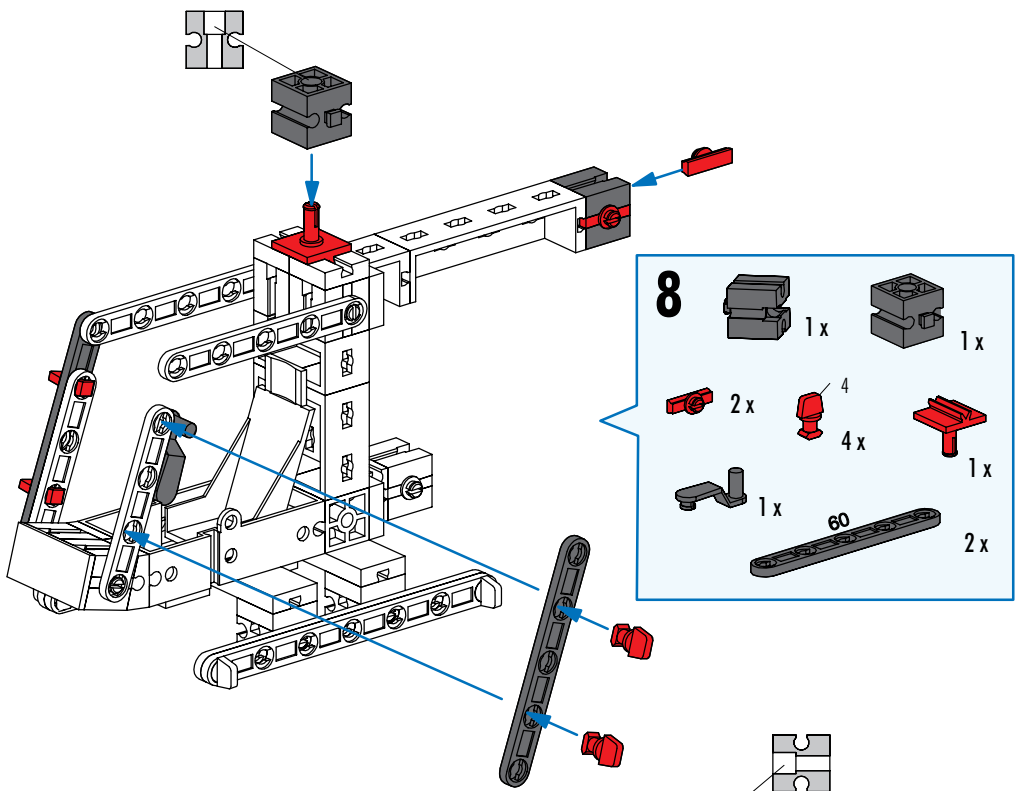
- 5**
- 2 x [Grey 1x3 Technic Brick with 2 holes]
 - 2 x [Grey 1x2 Technic Brick with 2 holes]
 - 2 x [Red 1x2 Technic Pin]
 - 2 x [Grey 1x2 Technic Brick with 2 holes]
 - 1 x [Red 1x2 Technic Pin]
 - 2 x [Red 1x2 Technic Pin]



- 6**
- 2 x [Red 1x2 Technic Pin]
 - 2 x [Red 1x2 Technic Pin]
 - 1 x [Red 1x2 Technic Pin]
 - 1 x [Red 1x2 Technic Pin]

- 7**
- 1 x [Grey 1x6 Technic Brick with 4 holes]
 - 1 x [Grey 1x2 Technic Brick with 2 holes]
 - 2 x [Red 1x2 Technic Pin]
 - 1 x [Grey 1x2 Technic Brick with 2 holes]
 - 1 x [Grey 1x2 Technic Brick with 2 holes]
 - 2 x [Grey 60 Technic Axle]
 - 2 x [Grey 45 Technic Axle]





10

